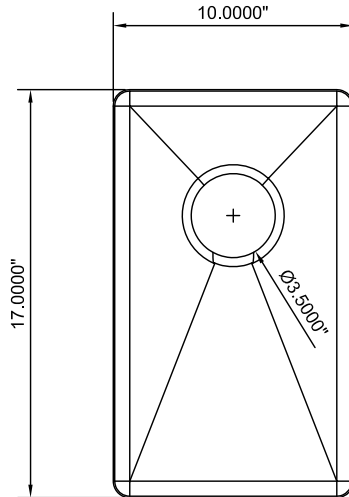




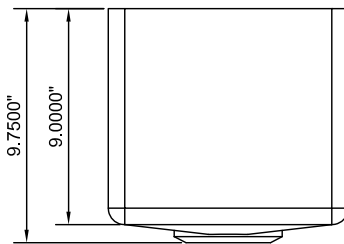
10" x 17" x 9" Stainless Steel Sink

Available models:

- SSSK30416G10X17X09 - 304 (18-8) 16 gauge
- SSSK30414G10X17X09 - 304 (18-8) 14 gauge
- SSSK31616G10X17X09 - 316L (18-10) 16 gauge
- SSSK31614G10X17X09 - 316L (18-10) 14 gauge



Top View



Front View

Features:

- Brushed finish
- 5/8" radius corners
- Functional drain grooves
- Center, rear drain placement
- 3 1/2" drain opening

Bowl Size: 10" wide x 17" long*

Bowl Depth: 9"

Minimum cabinet size: 12"

*Length is left to right, width is front to back.

Available options:

- Integrated drain board (12", 18" or 24")
(includes poly cutting board)



Manufacturer of Architectural Materials
307 North Secret Ave.
Monroe, NC 28110

Toll Free - (877) - 484 - 0088
Local - (704) - 635 - 2064
Fax - (704) 220-0208
www.stainlesssupply.com